

# Pressure Gauge Valves

According to DIN 16270, DIN 16271 with Male Test Connection, and with Test Flange

- **Nominal Pressure:** PN 250 for brass version, PN 400 for versions made of alloy steel or 316 stainless steel (1.4571)
- **Body:** moulded part when made of brass; drop forging when made of alloy steel or 316 stainless steel (1.4571)
- **Surface:** alloy steel browned
- Internally spindle thread
- **Burnished valve spindle** with movable rolled-in **valve cone**

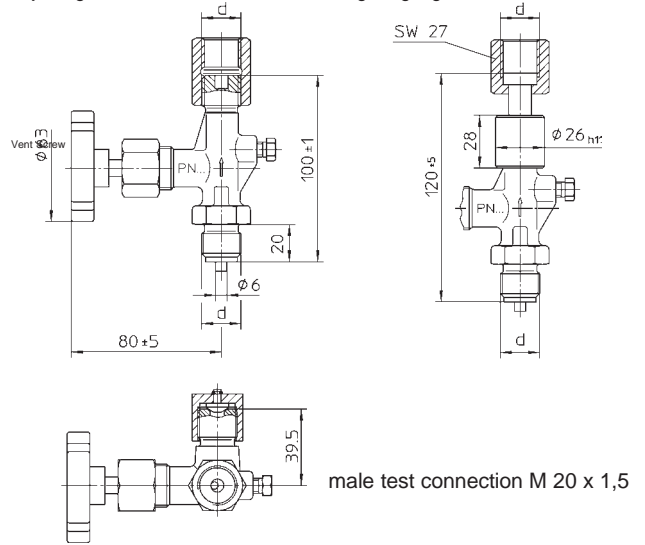
Versions:	Brass	Alloy Steel	Stainless Steel
<b>Components:</b>	<b>Material</b> (DIN material numbers):		
Body	brass	1.0460	1.4571
Valve spindle	1.4104		
Valve cone	1.4034 hardened		
Packing	PTFE	graphite	PTFE
Union nut	alloy steel		1.4571
Adjusting nut			
Turnable nut	brass	alloy steel	1.4571
Vent screw	1.4104		1.4571
Hand wheel	plastic		
<b>Temperature rating</b>	-10 / +120 °C (14 / 248 °F)	-10 / +120 °C (14 / 248 °F)	-40 / +200 °C (-40 / +392 °F)

(1.4571 = ~ 316 Ti)

## Version acc. to DIN 16271

Form A  
with adjusting nut

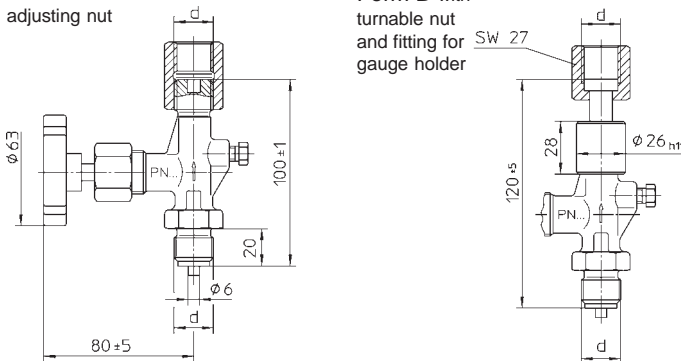
Form B with turnable nut and fitting for gauge holder



## Version acc. to DIN 16270

Form A with  
adjusting nut

Form B with  
turnable nut  
and fitting for  
gauge holder



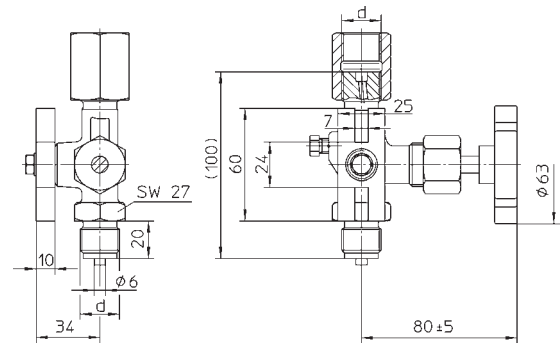
Material:	Brass	Alloy Steel	Stainless Steel
Version:	DIN 16 270 form A		
Connections d:	½" BSP male – adjusting nut ½" BSP female		
Ordering-Code:	Z-021001	Z-022001	Z-023001
Connections d:	M 20 x 1,5 male – adjusting nut M 20 x 1,5 female		
Ordering-Code:	Z-021021	Z-022021	Z-023021
Version:	DIN 16 270 form B with fitting for gauge holder bracket		
Connections d:	½" BSP male – turnable nut ½" BSP female		
Ordering-Code:	Z-021011	Z-022011	Z-023011

## Special Versions

- Special packing for temperatures up to 250 °C (not with test flange)
- Brass or stainless steel versions: free of oil and grease
- Test certificate acc. to EN 10 204 / 3.1. B for body material
- Pressure gauge valves similar to DIN 16270, but DVGW-registered, PN 100, temperature limits -10 / +70 °C, sealing NBR ("Perbunan", ~bunaN), with holder for the sealing made of brass (brass and alloy steel versions) resp. 1.4571 (~ 316 Ti), brass version: adjusting nut brass, DVGW-tested following DIN 3537 part 1, for all gaseous media acc. to DVGW-Work Sheet G 260 (not with test flange)
- Brass version ½" BSP, but for temperatures down to -20 °C (up to +120 °C), adjusting nut ½" BSP brass, union nut brass
- Others uponrequest

## Version similar to DIN 16271

with test flange 60 x 25 x 10 mm (2,36 x .98 x .39")



- Test flange in dependence of valve material made of brass, alloy steel or stainless steel 1.4571 (~ 316 Ti)
- Sealing cap: for alloy steel and brass -versions made of alloy steel, for stainless steel version: 1.4571 (~ 316 Ti)

Material:	Brass	Alloy Steel	Stainless Steel
Version:	DIN 16 271 form A with male test connection M 20 x 1,5		
Connections d:	½" BSP male – adjusting nut ½" BSP female		
Ordering-Code:	Z-021003	Z-022003	Z-023003
Connections d:	M 20 x 1,5 male – adjusting nut M 20 x 1,5 female		
Ordering-Code:	Z-021023	Z-022023	Z-023023
Version:	DIN 16 271 form B with fitting for gauge holder, with male test connection M 20 x 1,5		
Connections d:	½" BSP male – turnable nut ½" BSP female		
Ordering-Code:	Z-021013	Z-022013	Z-023013
Version:	similar to DIN 16 271 with test flange 60 x 25 x 10 mm		
Connections d:	½" BSP male – adjusting nut ½" BSP female		
Ordering-Code:	021002	022002	023002

## Special Configurations see left side

The information in this leaflet is given in good faith, but we reserve the right to make changes without notice.



**ARMATURENBAU GmbH**

Manometerstraße • D-46487 Wesel - Ginderich  
Phone: (0 28 03) 9130-0 • Fax: (0 28 03) 10 35  
armaturenbau.com • mail@armaturenbau.com



Subsidiary Company and Sales East Germany and Eastern Europe

**MANOTHERM Beierfeld GmbH**

Am Gewerbecamp 9 • D-08340 Beierfeld  
Phone: (0 37 74) 58 - 0 • Fax: (0 37 74) 58 - 545  
manotherm.com • mail@manotherm.com

**11200**

12/01