

Snubber

adjustable with lateral lockable spindle

T11-000-003

15.08.11 Ret / DS
Page 1 of 1



Application

Snubbers protect the pressure measuring instruments against hydraulic shocks and pulsations of the medium. They are adjustable (change of the diameter) and can be adjusted individually for the corresponding operating conditions.

An eventual regulation adjustment while operating is possible at any time.

The pulsations and hydraulic shocks in the medium that for example occur in compressors, steam engines, hydraulic moulding presses, tensile testing machines etc. are extensively being equalised by this snubber.

This effectuates that the pressure measuring instrument has an essentially longer durability and an improved reading accuracy.

Snubbers just react at 0.4 bar (~ 5.8 psi) and above.

Order no.

	connection thread G 1/2
brass	100 003 1001
steel	100 003 2001
stainless steel	100 003 3001

Version

Connec- tion thread	Material	PN (bar)	temperature range (°C)
G 1/2	brass	250 3,000	-10...120 °C (14...248 °F)
	1.4571 (316 stainless steel)	400 5,000	-10...120 °C (14...248 °F)
	steel St 35.8	400 5,000	-10...120 °C (14...248 °F)

Pressure connection

G 1/2 x G 1/2 B according to EN 837-1

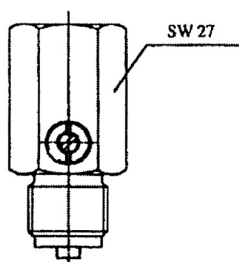
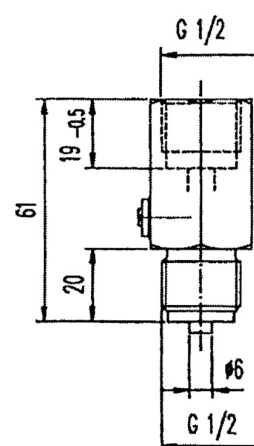
Material / component parts

	100 003 1001	100 003 2001	100 003 3001
Case	brass	steel	1.4571 (316 stainless steel)
Screw	brass	steel	1.4571 (316 stainless steel)
O-ring	Perbunan		Viton
regulation spindle	1.4404 (316 stainless steel)		

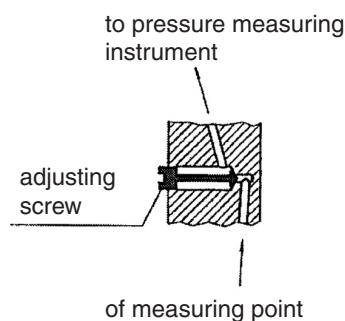
Description

Surface	steel phosphated, steel raw
Media	liquids, gases and vapours
max. temperature	120 °C (248 °F)
Special version for oxygen upon request, max. 50 bar (~ 725 psi) at 60 °C (140 °F)	

Measureings (mm)



Effect sheme



Sales and Export South, West, North
ARMATURENBAU GmbH
 Manometerstraße 5 • D-46487 Wesel - Ginderich
 Tel.: +49 (0) 2803/91 30-0 • Fax: +49 (0) 2803/10 35
 armaturenbau.com • mail@armaturenbau.com



Subsidiary Company, Sales and Export East
MANOTHERM Beierfeld GmbH
 Am Gewerbepark 9 • D-08344 Grünhain-Beierfeld
 Tel.: +49 (0) 37 74/58-0 • Fax: +49 (0) 37 74/58-545
 manotherm.com • mail@manotherm.com